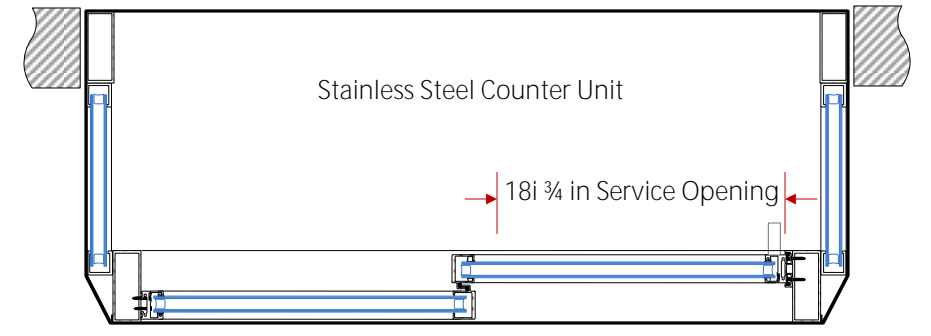
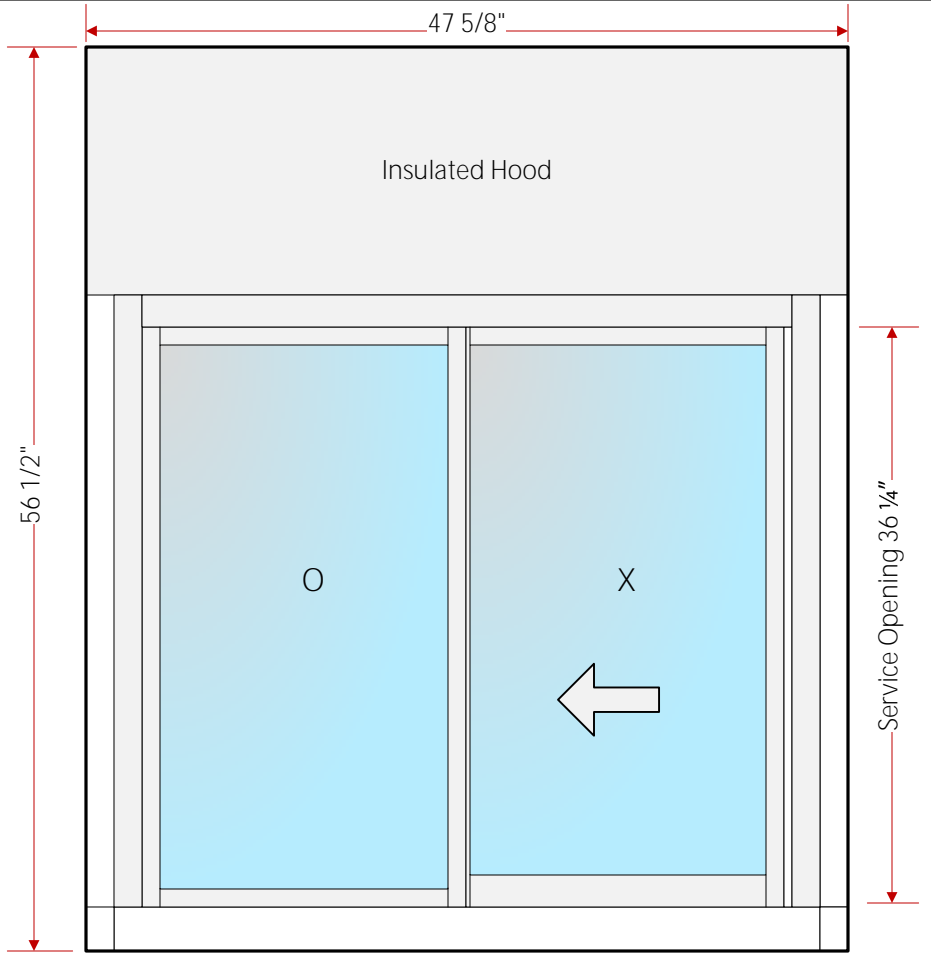
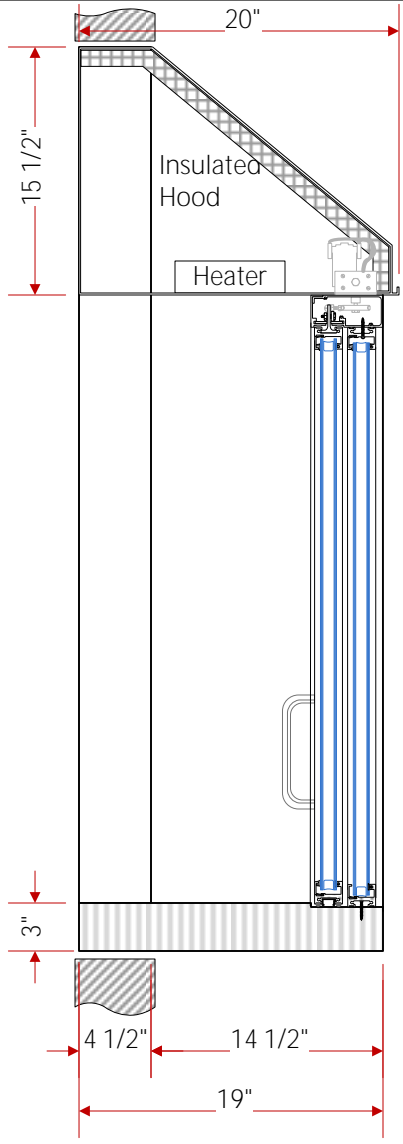


	Width	Height	Thick
Overall Unit Dimensions	47 5/8 in	56 1/2 in	20 in
Service Opening Dimensions	18 3/4 in	36 1/4 in	N/A

	CSP100-1	CSP200-1	CSP300-1
Manual Open / Close		●	
Automatic Open / Close	●		
Manual Open/Elec Hold & Release			●
OX or XO Slide	●	●	●
Oversize Pull Handle		●	●
Adams-Rite Locks		●	●
3 Position Logic Lock	●		
Drop Down Security Bar	●	●	●
Built-in Alarm Contacts	●	●	●
Security Override	●		
Stainless Steel Sill	●	●	●
Heater	Option	Option	Option

Standard Finishes	Class II Clear Anodized Class II Dark Bronze Anodized
Custom Finishes	Class II Black Anodized Class II Light Bronze Anodized Powder Coat Durachron Baked Enamel Duramar High Performance Baked Enamel
Standard Glass Options	1" Insulated Glass (1/8" - 1/8" Clear Tempered) 1/4" Clear Tempered Glass 1/4" Clear Tempered Laminated Glass
Custom Glass Options	For Tints and other Glass Make-ups Call Easi-Serv



Unit 302, 6741 Cariboo Rd.
Burnaby, B.C.
Canada V3N 4A3
Tel: 604.422.8611
Fax: 604.422.8376
www.easi-serv.com

Project: Transaction Windows
 Drawn: PJF Scale: 1" : 1ft Revision: 2015

Title: Bump-out Side Slider CSP-1 Series
 Date Drawn: 19/2/2010 Job: Design Sheet: CSP-1

