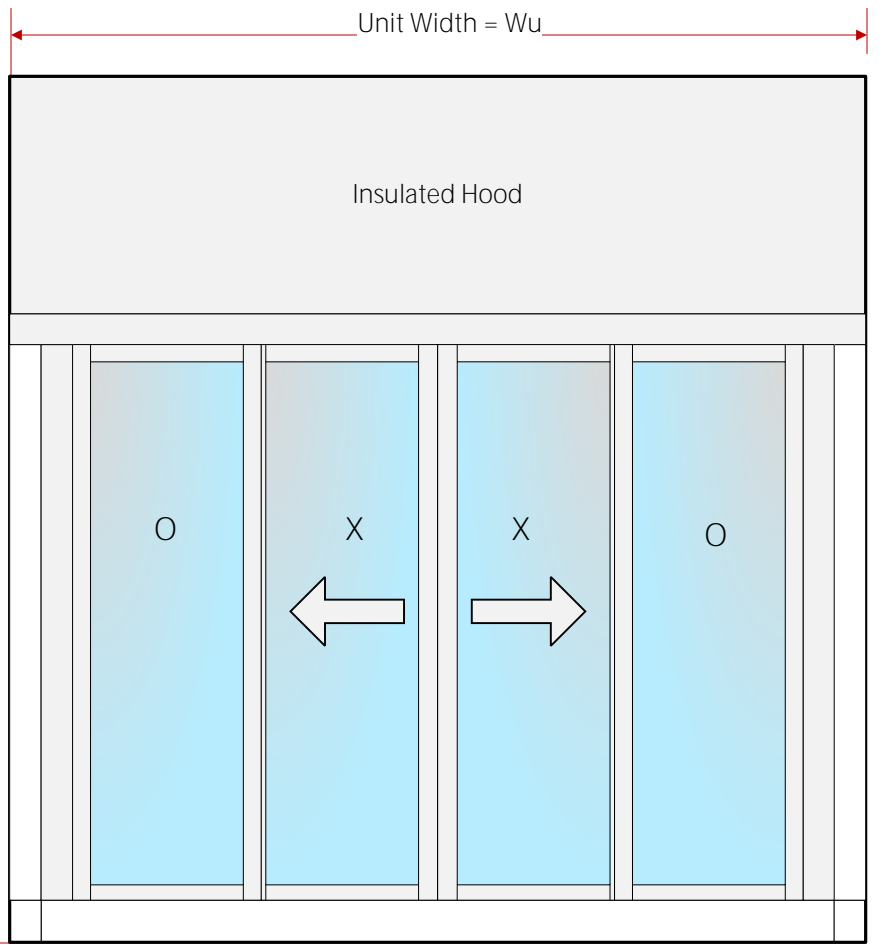
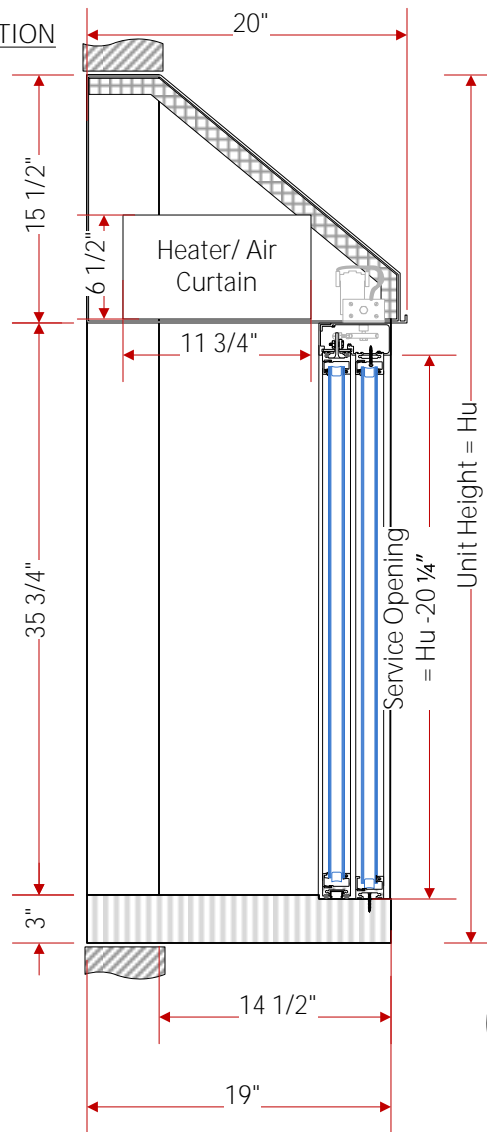


VERTICAL SECTION

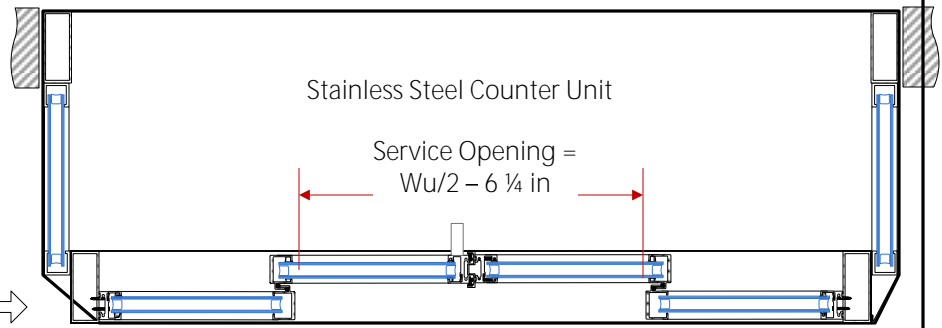
	Width	Height	Thick
Overall Unit Dimensions	Wu in	Hu in	20 in
Service Opening Dimensions	$Wu/2 - 6 \frac{1}{4}$ in	$Hu - 20 \frac{1}{4}$ in	N/A

	PSB100-C	PSB200-C
Manual Open / Close		●
Automatic Open / Close	●	
Manual Open / Self Close		
OX or XO Slide	●	●
Oversize Pull Handle		●
Adams-Rite Locks		●
3 Position Logic Lock	●	
Drop Down Security Bar	●	●
Built-in Alarm Contacts	●	●
Security Override	●	
Stainless Steel Sill	●	●
Heater	Option	Option

Standard Finishes	Class II Clear Anodized Class II Dark Bronze Anodized
Custom Finishes	Class II Black Anodized Class II Light Bronze Anodized Powder Coat Durachron Baked Enamel Duramar High Performance Baked Enamel
Standard Glass Options	1" Insulated Glass (1/8" - 1/8" Clear Tempered) 1/4" Clear Tempered Glass 1/4" Clear Tempered Laminated Glass
Custom Glass Options	For Tints and other Glass Make-ups Call Easi-Serv



HORIZONTAL SECTION



Unit 302, 6741 Cariboo Rd.
Burnaby, B.C.
Canada V3N 4A3
Tel: 604.422.8611
Fax: 604.422.8376
www.easi-serv.com

Project: Transaction Windows
 Drawn: PJF Scale: 1" : 1ft Revision: 2015

Title: Bump-out Bi-Parting PSB-C Series
 Date Drawn: 19/2/2010 Job: Design Sheet: PSB-C

