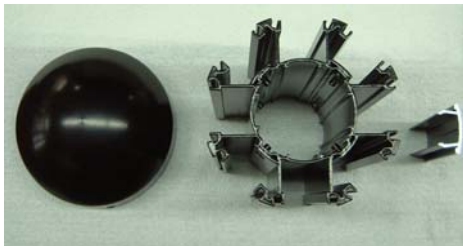


Patio Glazing Posts

Designed as the prime support posts for rail free self supporting glass fencing, Easi-Serv's patio glazing posts provide you with a versatile system that gives you complete flexibility in the layout of patio surrounds or glass windscreens. Fully engineered for wind loading, the patio glazing posts are constructed from proprietary aluminum extrusions, are impervious to rusting and are available in a variety of lengths and finishes.



Typical installation as a patio surround



Detail showing post cap, post extrusion and snap-in cap



Detail showing posts and glass

Benefits of the Patio Glazing Posts

- Clean, architecturally pleasing look
- Glass can be installed at any angle and is self supporting, does not require top or bottom support rails
- Easy to install, can be installed at any time during or after construction
- Cost effective installation
- Weatherproof, with a low maintenance cost

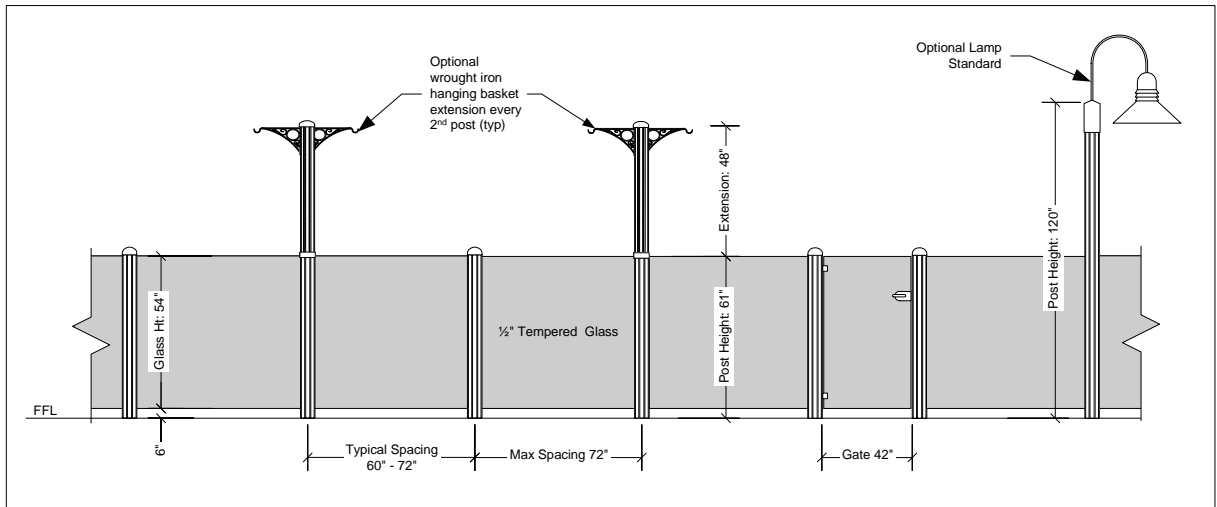
Features of the Patio Glazing Posts

- Eight glass pockets with snap-in covers allows one post design to be used for multiple configurations
- Pocket designed to hold self supporting ½" tempered glass panels
- Constructed of proprietary aluminum extrusions with continuous glass channels
- Installed on steel stanchions wedge anchored to foundation
- Engineered for guard load and wind loads of 20 psf.
- Strong enough to support gates
- Standard finish is black/white duracron or clear anodized aluminum, powder coating in a selection of standard and custom colours also available.
- Variety of standard and custom lengths available
- Can be extended for use as light standards or hanging basket standards

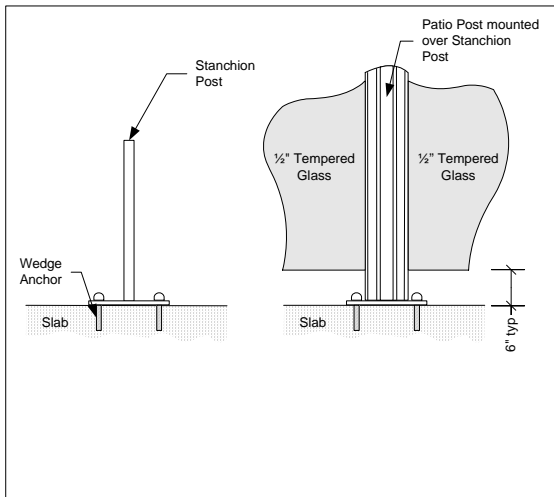
Standard Patio Glazing Post Specifications

- Post Diameter: 4 ¼ inches
- Post Heights: 48, 54, 61 inches or call for custom length
- Post Cap: Domed
- Post Colour: Black or white duracron, clear anodized
- Weight: Post: 10 - 15 lbs, Stanchion: 9 ½ lbs
- Base Diameter: 8 inches
- Maximum Post Spacing: 72 inches on centre
- No of parts: 1 post extrusion; 8 snap-in caps; 1 end cap; 1 stanchion
- All Glass Gate Width: 42 inches
- Glass type: ½ inch clear tempered glass, top and bottom edges are polished
- Space between bottom edge of glass and floor: 6 inches
- Optional Hanging Basket Extension: 48 inches, two cast iron hanging basket brackets. Removable
- Optional Lamp Standard: 120 inches, Collage CEPH 120v 70w Metal Halide lamp, Black baked enamel

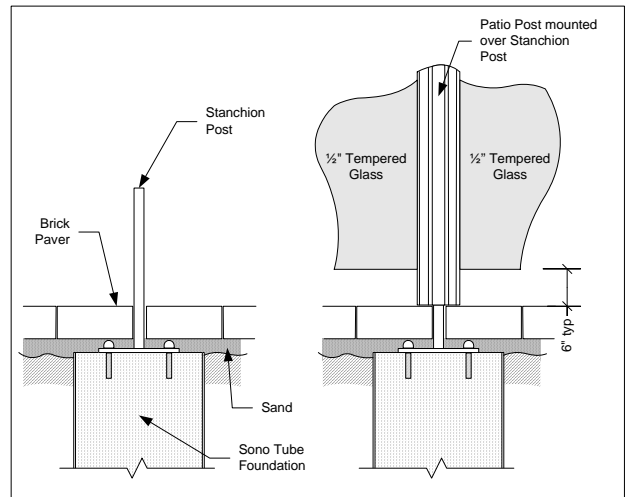
Patio Glazing Posts



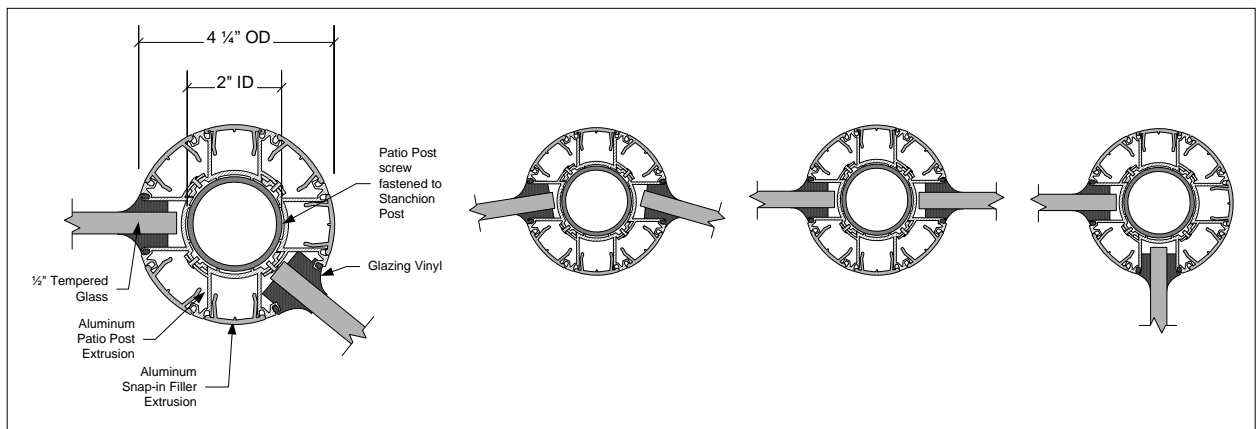
Elevation showing typical windscreen configuration



Installation direct to slab



Installation to brick pavers



Sections through post showing typical glass installation