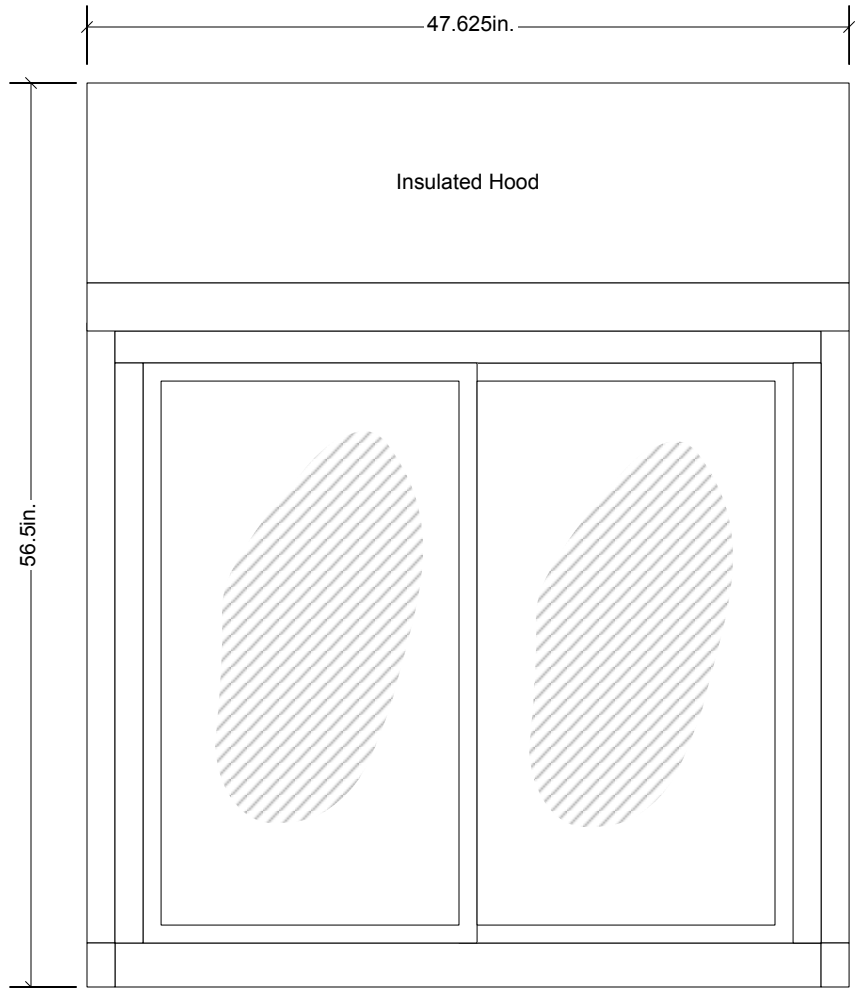
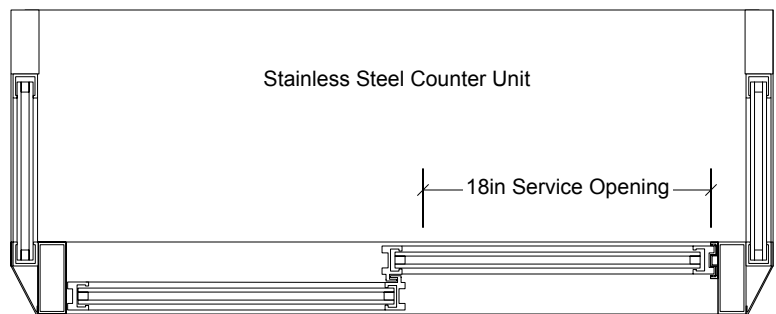


SECTION



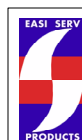
EXTERIOR ELEVATION



PLAN VIEW

	Width	Height	Thickness
Overall Unit Dimensions	47 5/8in	56 1/2in	20 in
Service Opening Dimensions	18in	36 1/8in	N/A

	CSP 100	CSP 200
Manual Open / Close		●
Automatic Open / Close	●	
Manual Open / Self Close		
OX or XO Slide Configuration	●	●
Oversize Pull Handle		●
Adams-Rite Locks		●
3 Position Logic Lock	●	
Security Override	●	
Stainless Steel Sill	●	●
Heater	●	●



EASI-SERV PRODUCTS INC.

Surrey Design Centre
 211-12899 76th Ave
 Surrey, B.C. Canada V3W 1E6
 Tel: 604.590.0106 Fax: 604.590.1334 Url: www.easi-serv.com

**CSP Series Bump-Out Side Slider Drive-Thru Window
 (CSP 100; CSP 200)**

Scale 1" : 1ft

Revision: 1.0

Date: December 1st, 2003

1 of 1